

1. Scope

This specification applies to precast concrete open bottom and enclosed vaults that are 4'8" W x 4'8" L and their corresponding concrete covers and pads specifically for electrical use.

2. Material ID Numbers

The following vault Cat. ID's shall conform to the corresponding diagram dimensions:

2.1 VAULTS AND VAULT ASSEMBLIES

MID	Description	Section
1001722	4'8" x 4'8" x 3'6"	9.4
1002111	4'8" x 4'8" x 5'6"	9.5
5001296	4'8 x 4'8 x 3'6, w/ 3'4 x 1'6 Knockouts For Substation Applications	

2.2 COVERS AND PADS

MID	Description	Section
765547	4'8" x 4'8" x 6" Solid (1280 - 1500 lb)	9.3
765638	4'8" x 4'8" x 6" w/ 3' x 3' Grate/Vent (1190 lb)	9.5
765646	4'8" x 4'8" x 6" w/ 3' x 3' Hinged Diamond Plate Hatch	9.2
765696	4'8" x 7' x 3" w/ Diamond Plate Hatch & Cable Entry	9.6
781402	4'8" x 4'8" x 6" w/ 28" x 12" Access Opening (for Padmount Transformer)	9.1
1002120	4'8" x 4'8" w/ 3' x 3' Steel Plate w/ Nonslip Hatch	9.2
1002136	4'8" x 4'8" x 6" w/ 3' x 3' Diamond Plate Hatch & ID Plate, Marked "SNOPUD FIBEROPTIC"	9.2
1003599	4'8" x 4'8" x 12" w/ 3' x 3' Ductile Iron Heavy Duty Hatch 200,000 lbs Load Rating	9.2
5001555	4'8 x 4'8 x 8", w/ 36" x 36" H30 Full Traffic Rated Hatch	9.2
5006321	4'8 x 4'8 x 6", w/ 3' x 3' Non Slip Hatch and RimRiser Height Adjustment Hardware	9.2

2.3 RISERS

MID	Description	Section
780727	4'8 x 4'8 x 0'6	9.7
780785	4'8 x 4'8 x 1'0	9.8

3. Referenced Standards

All material, accessories, and marking for District vaults, pads, and covers shall adhere to the specifications of District Material Standard VAULTMAT1.

4. Pulling Irons

Vaults shall be equipped with 1/2" pulling irons located in the lower corners, unless otherwise specified by the District.

5. Interior Equipment Mounting Hardware

All vaults shall be equipped with interior equipment mounting hardware.

6. Lifting Inserts

All vaults, covers, and risers shall be equipped with corrosion-resistant stainless steel threaded-type lifting inserts as appropriate for the structure's weight. Each threaded insert shall be equipped with a removable threaded plastic protective cap installed flush with the riser's top surface.

7. Identification

All vaults, covers, and pads shall be marked in compliance with VAULTMAT1.

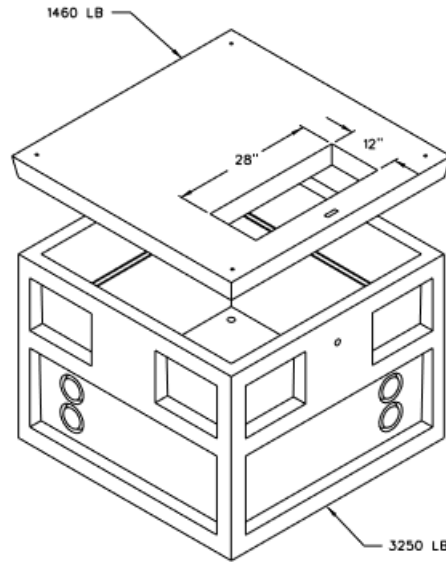
8. Hatch Covers

All hatch covers shall be constructed of H-20 rated Diamond Plate unless otherwise specified by the District. In individual cases where this is not sufficient, the District shall have the option to specify a Port Authority rating and/or a SlipNot™ finish.

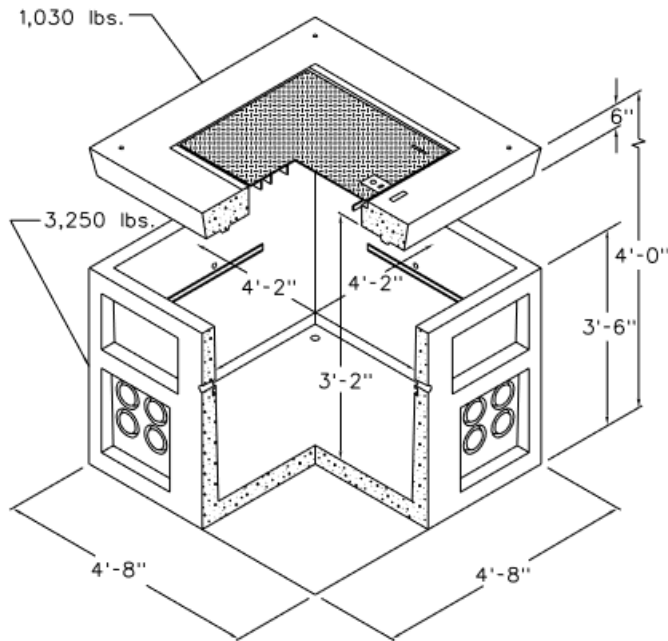
9. Dimensions

Vaults, pads, and covers shall have the following dimensions and knockout distribution (where applicable). Note that multiple covers may fit each vault and that covers may have the same dimensions with different accessories, i.e. Diamond Plate Hatch vs. Steel Plate w/ SlipNot™ Hatch.

9.1 4'8" x 4'8" x 3'6" & 4'8" Square Cover w/ 28" x 12" Access Opening

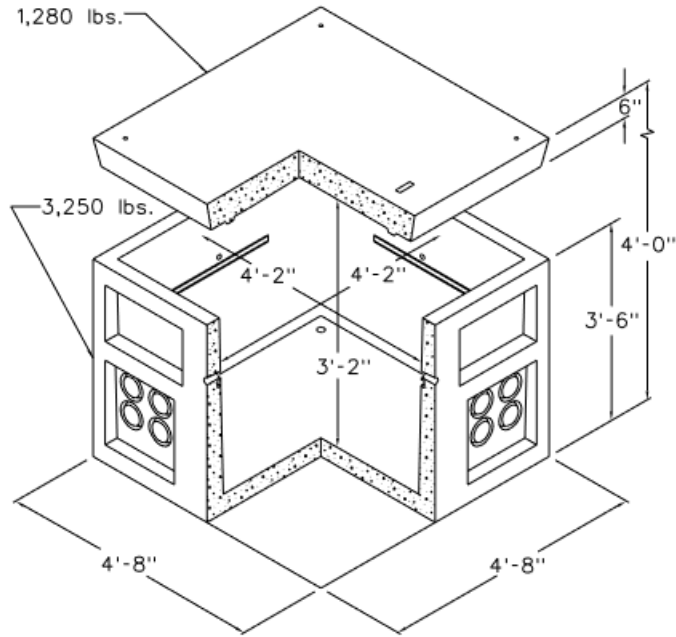


9.2 4'8" x 4'8" x 3'6" & 4'8" x 4'8" x 6" Cover w/ 3' x 3' Diamond Plate Hatch

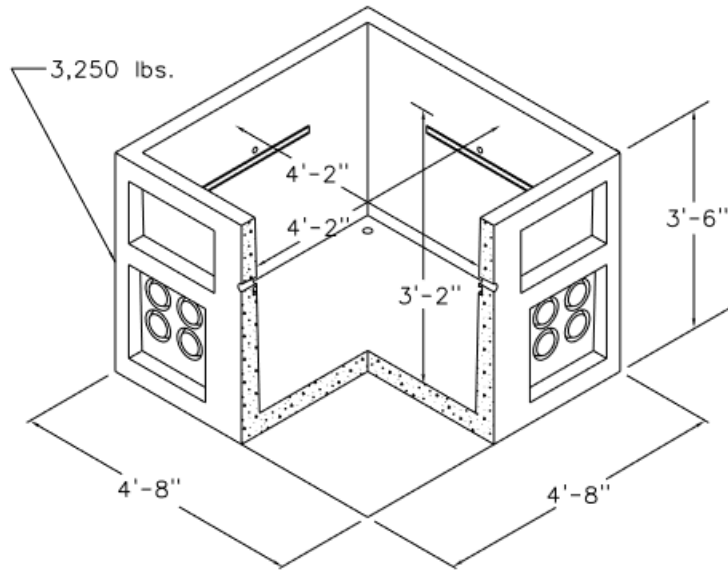


Note: District Cat. ID 1002136 shall be marked "SNOPUD FIBEROPTIC".

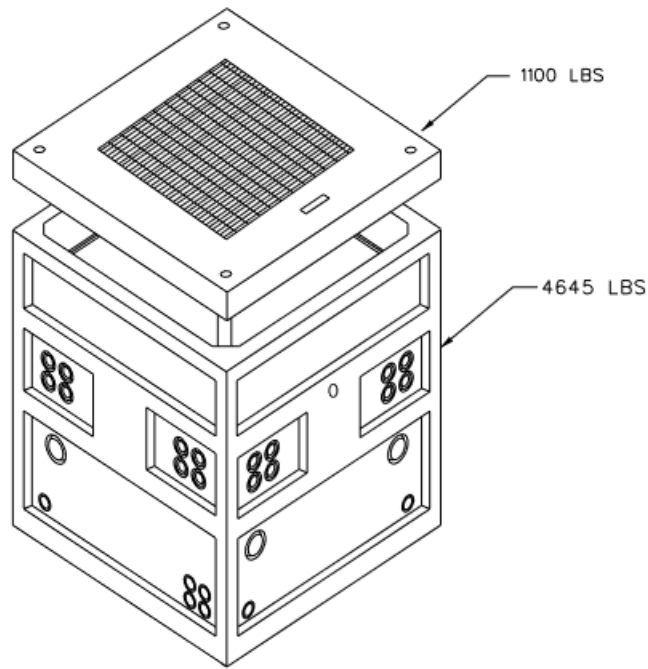
9.3 4'8" x 4'8" x 3'6" & 4'8" x 4'8" x 6" Solid Cover



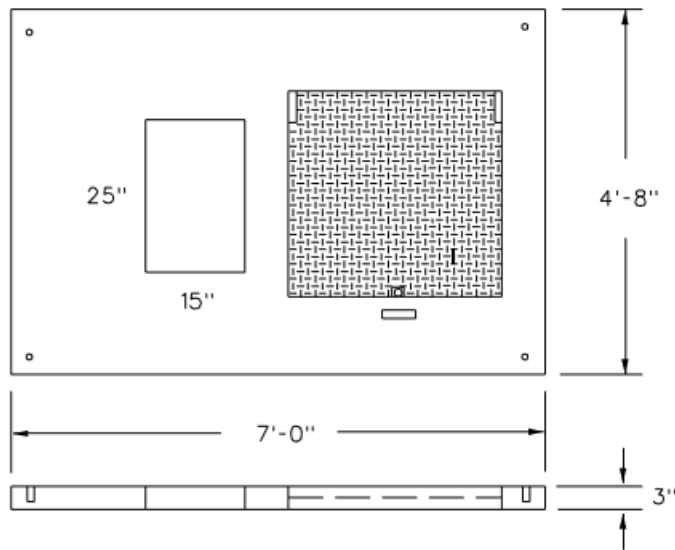
9.4 4'8" x 4'8" x 3'6"



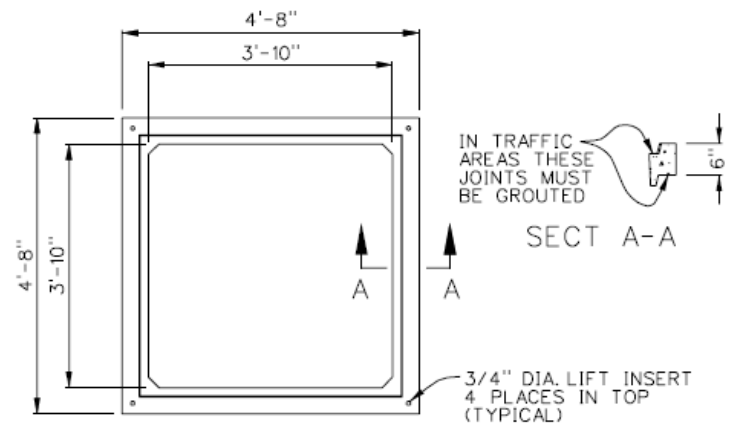
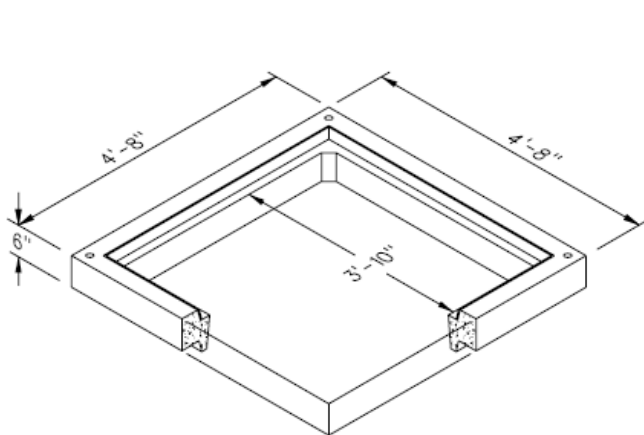
9.5 4'8" x 4'8" x 5'6"



9.6 4'8" x 7' x 3" w/ Diamond Plate Hatch & Cable Entry



9.7 4'8 x 4'8 x 0'6



9.8 4'8 x 4'8 x 1'0

